

**PEEK unions**

**10-32**

- Easy connection of transfer/solvent lines
- Low dead volume
- Completely inert and biocompatible


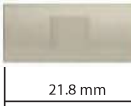

VICI Jour PEEK unions are usable with most common organic and inorganic HPLC solvents without risking corrosion, metal contamination, or protein degradation that might occur with stainless steel. Small diameter bores are used to ensure low dead volume connections. These unions have the standardized Valco fitting details with smooth transition of the taper into the threaded part. Connections to these PEEK unions can be made with any 10-32 fitting that uses polymeric ferrules. PEEK unions are available in body-only versions as well as complete with our PEEK one-piece fingertight fittings ready to connect to any 1/16" OD tubing.

**SPECIFICATIONS**

**TUBING OD**  
1/16"

**MATERIAL**  
PEEK

**PRESSURE RATING**  
<350 bar (5000 psi)  
(Varies with tubing ID and material)

	Bore (mm)		Qty/pkg	Product No.
Union with fittings	0.25		1	JR-1061
	0.50		1	JR-1066
	0.75		1	JR-1067
Body only	0.25		1	JR-061
	0.50		1	JR-066
	0.75		1	JR-067
<b>Replacement fittings</b>				
PEEK 1/16" one-piece fingertight fittings, 10-32, black			5	JR-55021-5

**PEEK bulkhead unions**

**10-32**

- Designed for panel mounting
- Easy connection of transfer/solvent lines
- Low dead volume
- Completely inert and biocompatible

Bulkhead unions are designed to be mounted through an instrument panel or on a bracket. Typically the mounting nut goes inside the instrument, so that the long threaded portion will be out of sight.

Bulkhead unions require a minimum 10 mm panel hole, 9 mm maximum thickness.



Includes fittings.

**SPECIFICATIONS**

**TUBING OD / THREADS**  
1/16" 10-32

**MATERIAL**  
PEEK

**PRESSURE RATING**  
<350 bar (5000 psi)  
(Varies with tubing ID and material)

	Bore (mm)		Qty/pkg	Product No.
Bulkhead union with fittings	0.25		1	JR-ZBU1CFPK
	0.50		1	JR-ZBU1MFPK
	0.75		1	JR-ZBU1FPK
<b>Replacement fittings</b>				
PEEK 1/16" one-piece fingertight fittings, 10-32, black			5	JR-55021-5
JAM-Nut replacement mounting nut for bulkhead fittings			1	JR-CBN

**SEE ALSO**

Low pressure PEEK 1/4-28 unions. . . . . 50  
PEEK one-piece fingertight fittings 25-27