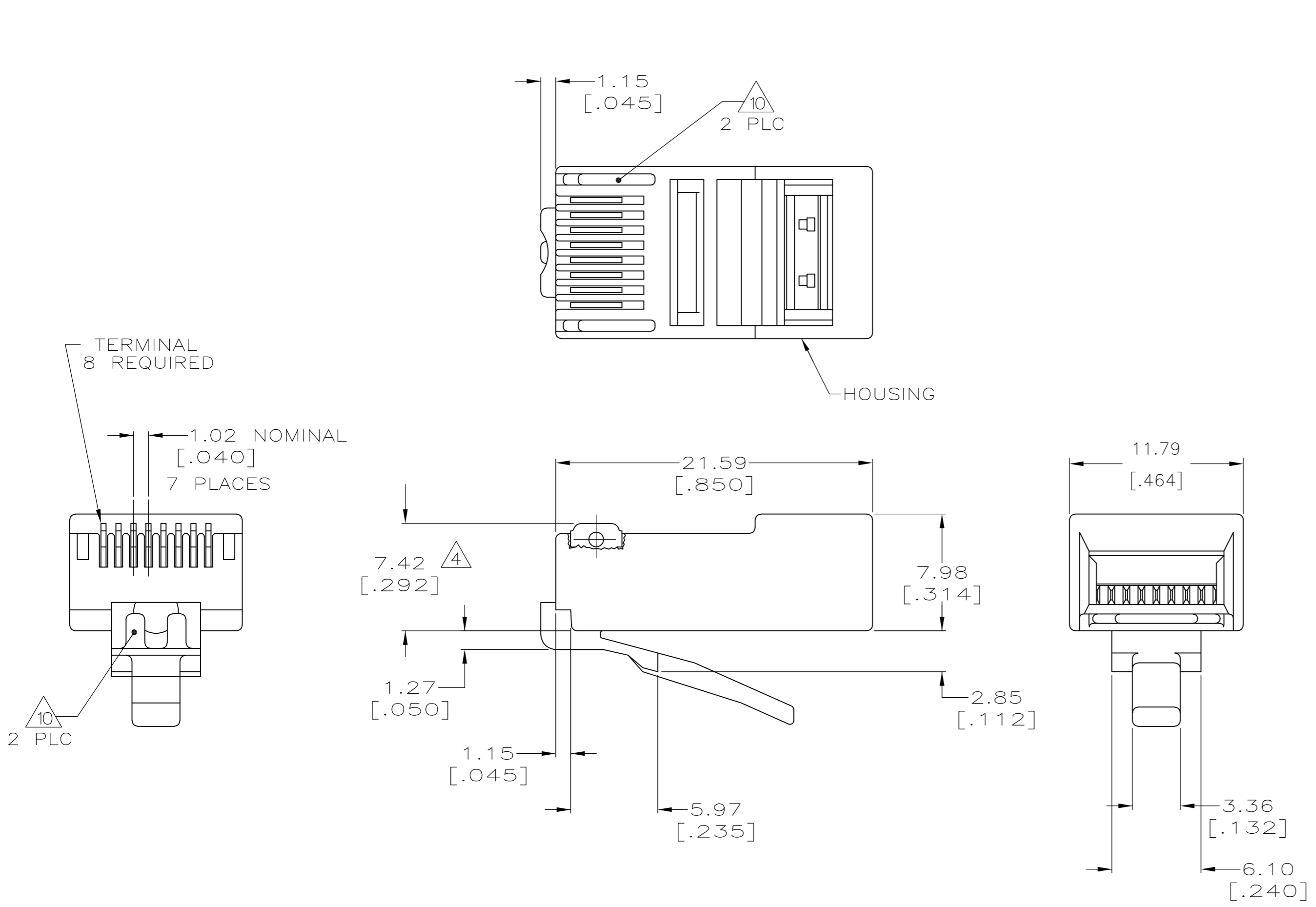


THIS DRAWING IS UNPUBLISHED. RELEASED FOR PUBLICATION  
 © COPYRIGHT - By - ALL RIGHTS RESERVED.

LOC	DIST	REVISIONS					
		P	LTR	DESCRIPTION	DATE	DWN	APVD
HM	00	P1		REVISED PER ECO-11-005033	21MAR11	RK	HMR



- 1 DIMENSIONS ARE MAXIMUM UNLESS OTHERWISE SPECIFIED.
- 2 MATERIAL: HOUSING-POLYCARBONATE,CLEAR. TERMINAL-0.36[.014] THICK PHOSPHOR BRONZE PLATED WITH 1.27μm[.000050] THICK GOLD IN LOCALIZED GOLD PLATE AREA. GOLD FLASH OVER THE REMAINDER, OVER 2.54μm[.000100] THICK NICKEL UNDERPLATE.
- 3. PLUG WILL ACCEPT 24 OR 26 AWG SOLID WIRE HAVING A MAXIMUM INSULATION DIAMETER OF 0.89-0.99[.035-.039] AND A MAXIMUM OVAL CABLE JACKET OF 2.54 X 8.89[.100 X .350].
- 4 TERMINATED DIMENSION 6.15[.242] MAXIMUM.
- 6 10,000 ASSEMBLIES PER PACKAGE.
- 7 500 ASSEMBLIES PER PACKAGE.
- 8 100 ASSEMBLIES PER PACKAGE.
- 9 25 ASSEMBLIES PER PACKAGE.
- 10 REELED PRODUCT ON STRIP DOES NOT HAVE VOID CORING ILLUSTRATED ON THIS DRAWING.
- 11 100 ASSEMBLIES PER CARTON.

9	5-554720-4
8	5-554720-3
7	5-554720-2
6	5-554720-1
11	3-554720-3
10	554720-1
<b>OBSOLETE</b>	<b>REELED</b>
	<b>PACKAGED</b>
	<b>PART NO.</b>

THIS DRAWING IS A CONTROLLED DOCUMENT.		DWN	L. HALL	03NOV2005		TE Connectivity		
DIMENSIONS: mm [INCHES]		CHK	C. CASH	03NOV2005		NAME		
TOLERANCES UNLESS OTHERWISE SPECIFIED:		APVD	C. CASH	03NOV2005		PRODUCT SPEC		
0 PLC ± - 1 1 PLC ± - 1 2 PLC ± - 1 3 PLC ± - 1 4 PLC ± - 1 ANGLES ± - FINISH - 2		APPLICATION SPEC		108-1163				
MATERIAL - 2		WEIGHT -		114-6016		SIZE	A2	
CUSTOMER DRAWING		SCALE		4:1	SHEET	1 OF 1	REV	P1