

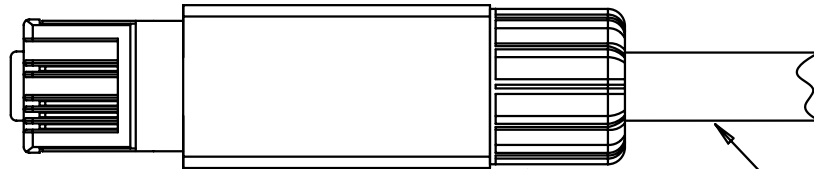
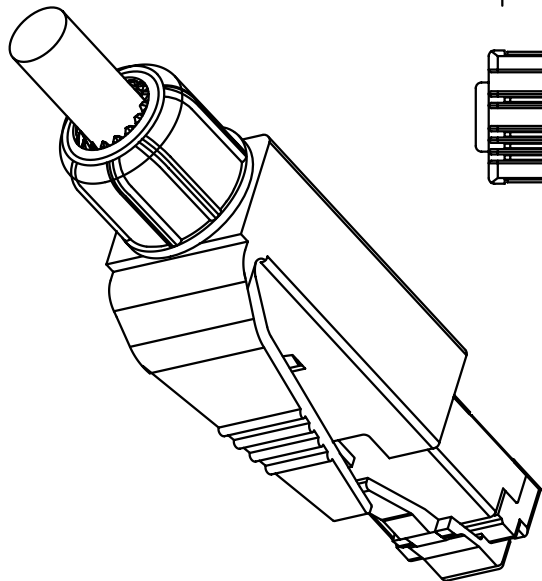
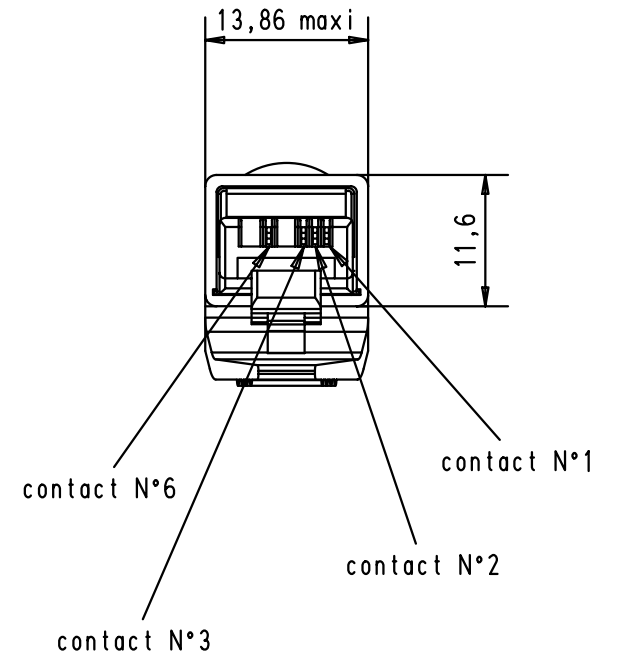
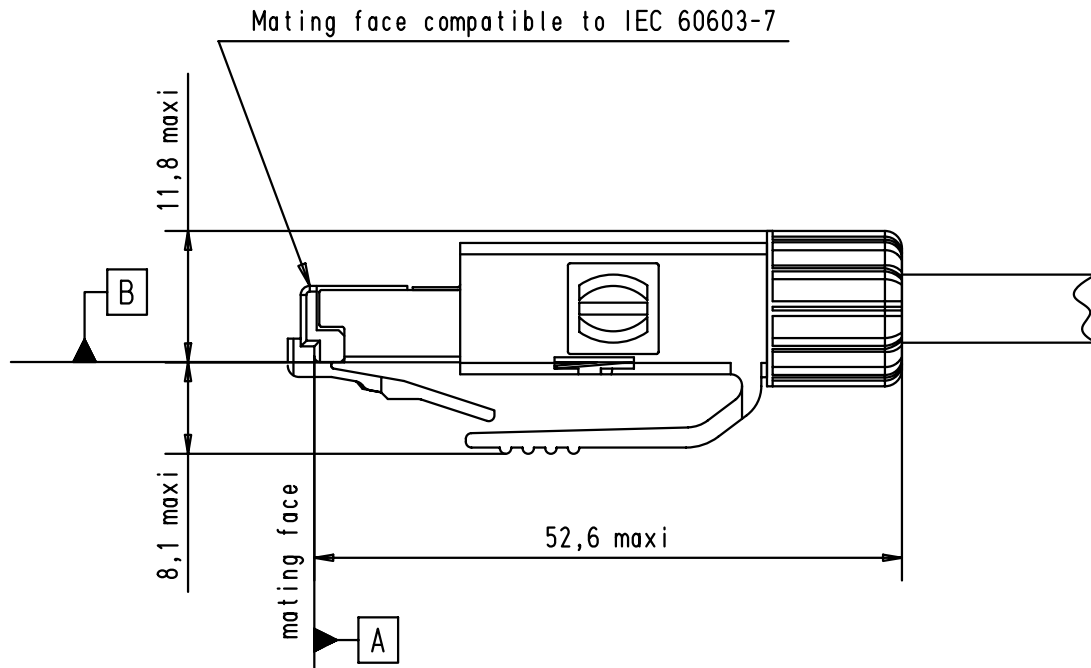
5

4

3



2

1



cable  $\phi 6,1 - \phi 6,9$  mm  
 AWG 22/1 to AWG 23/1  
 AWG 22/7 to AWG 24/7  
 with O.D. 1,6 mm maxi

Nut M10 x 1 with cable clamping

				Dat.	Name	 All Dim. in mm Orig. Size DIN A 4	Industrial RJ45 Thermoplastic shielded Plug / IP20 with 4 data contacts	Maßstab/ Scale
			Detail.	15-OCT-02	JB			1,5/1
			Insp.					
			Stand.					
31351	15-OCT-02	JB	HARTING EURL F-95972 Paris				TB 09 45 151 11 00	Blatt/ Page
Mod.	Dat.	Name					Sub. RP 090177 47	1 / 1