

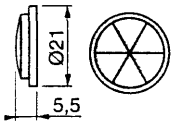
# Photo-electric detectors

## Accessories

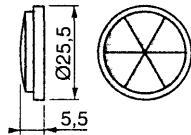
### Dimensions

References  
pages 2/118 to 2/120

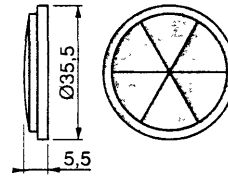
#### Reflectors XUZ-C16



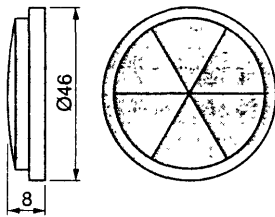
#### XUZ-C21



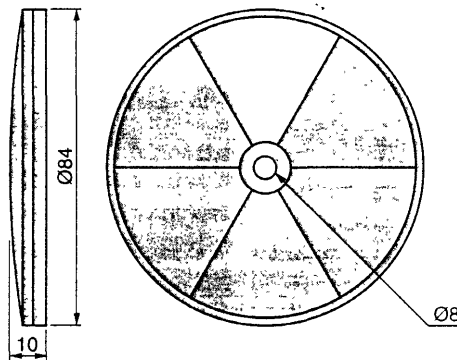
#### XUZ-C31



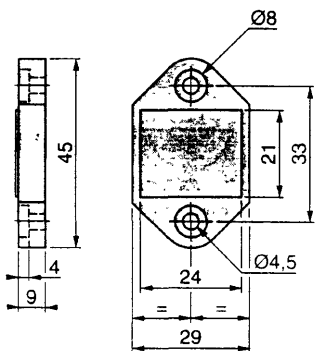
#### XUZ-C39



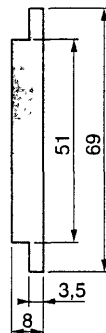
#### XUZ-C80



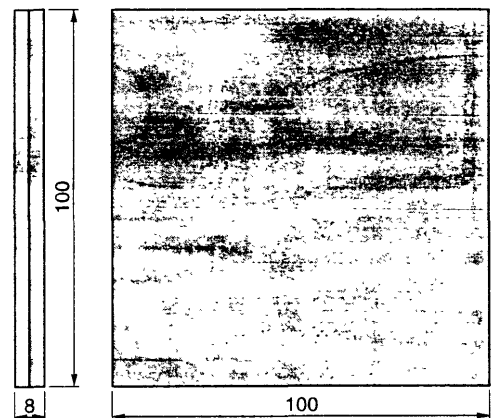
#### XUZ-C24



#### XUZ-C50



#### XUZ-C100



(1) 2 elongated holes Ø 4 x 8