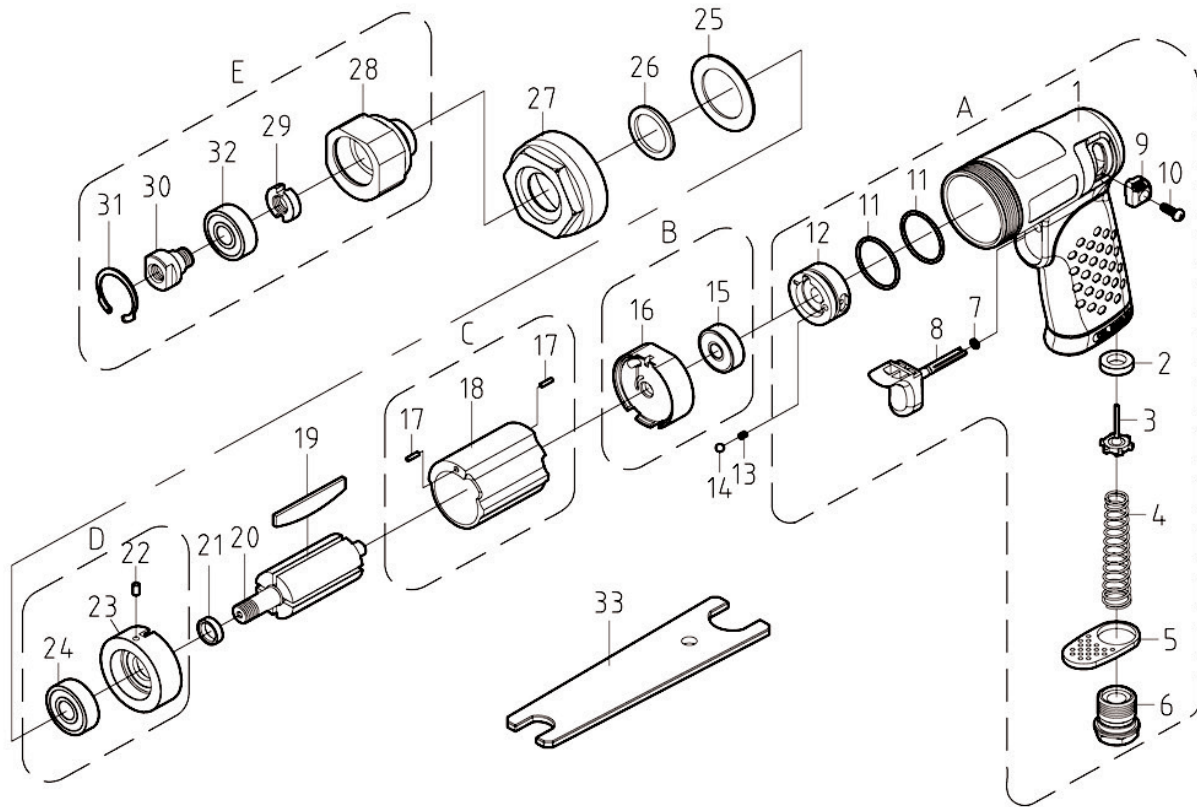


Parts Information:
Air Sander Ø75mm Mini Orbital Composite Premier
Model No: SA721.V2



Item	Part No.	Description
1	SA721.V2-01	MOTOR HOUSING
2	SA721.V2-02	OIL SEAL
3	SA721.V2-03	VALVE
4	SA721.V2-04	VALVE SPRING
5	SA721.V2-05	EXHAUST DEFLECTOR
6	SA721.V2-06	AIR INLET
7	SA721.V2-07	O-RING
8	SA721.V2-08	TRIGGER
9	SA721.V2-09	REVERSE LEVER
10	SA721.V2-10	SCREW
11	SA721.V2-11	O-RING
12	SA721.V2-12	REAR PLATE SPACER
13	SA721.V2-13	SPRING
14	SB-3.2	STEEL BALL 3.2mm
15	B/626ZZ	BEARING 626ZZ
16	SA721.V2-16	REAR PLATE
17	SA721.V2-17	SPRING PIN
18	SA721.V2-18	CYLINDER
19	SA721.V2-19	ROTOR BLADE
20	SA721.V2-20	ROTOR
21	SA721.V2-21	WASHER

Item	Part No.	Description
22	SA721.V2-22	SPRING PIN
23	SA721.V2-23	FRONT PLATE
24	B/608ZZ	BEARING 608ZZ
25	SA721.V2-25	SEALING RING M20
26	SA721.V2-26	FELT RING
27	SA721.V2-27	FRONT CASING
28	SA721.V2-28	ECCENTRIC SHAFT
29	SA721.V2-29	LOCK NUT
30	SA721.V2-30	ANVIL
31	SA721.V2-31	RETAINING RING
32	B/6900ZZ	BEARING 6900ZZ
33	SA721.V2-33	WRENCH
--	SA701/45	2" BACKING PAD (VELCRO) (NOT SHOWN)
--	SA701D120G	SANDING DISC 50mm 120GRIT Pack of 10 (NOT SHOWN)
--	SA701D60G	SANDING DISC 50mm 60GRIT Pack of 10 (NOT SHOWN)
--	SA701D80G	SANDING DISC 50mm 80GRIT Pack of 10 (NOT SHOWN)
--	PTC75VA516	HOOK & LOOP BACKING PAD 75mm 5/16"UNF (NOT SHOWN)

NOTE: It is our policy to continually improve products and as such we reserve the right to alter data, specifications and component parts without prior notice.

IMPORTANT: No liability is accepted for incorrect use of product.

WARRANTY: Guarantee is 12 months from purchase date, proof of which will be required for any claim.