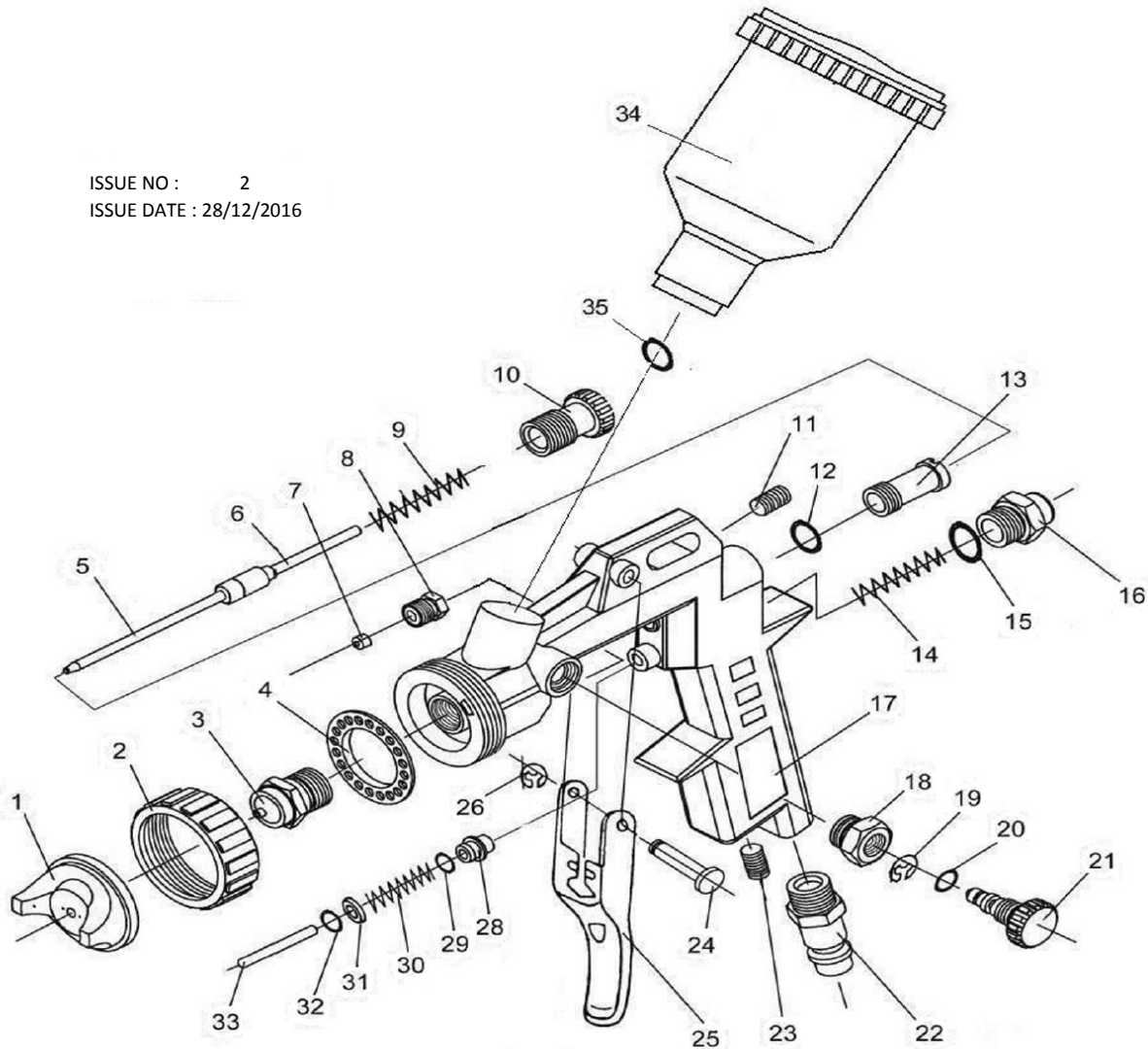


ISSUE NO : 2
 ISSUE DATE : 28/12/2016



| ITEM | PART NO | DESCRIPTION | ITEM | PART NO | DESCRIPTION |
|------|---------------|------------------------|------|--------------|-----------------------|
| 1 | SSG401.V2-01B | AIR CAP (1.8mm) | 15 | SSG401.V2-15 | O-RING |
| | SSG401.V2-01 | AIR CAP (1.5mm) | 16 | SSG401.V2-16 | PACKING SEAT |
| | SSG401.V2-01A | AIR CAP (1.2mm) | 17 | SSG501.V3-17 | GUN BODY |
| | SSG401.V2-01C | AIR CAP (2.0mm) | 18 | SSG401.V2-18 | PACKING SEAT |
| | SSG401.V2-01D | AIR CAP (2.2mm) | 19 | SSG401.V2-19 | STOP RING |
| | SSG401.V2-01E | AIR CAP (2.5mm) | 20 | SSG401.V2-20 | O-RING |
| 2 | SSG401.V2-02 | AIR CAP RETAINING RING | 21 | SSG401.V2-21 | FLUID ADJUSTING SCREW |
| 3 | SSG401.V2-03B | FLUID NOZZLE (1.8mm) | 22 | SSG401.V2-22 | AIR JOINT |
| | SSG401.V2-03 | FLUID NOZZLE (1.5mm) | 23 | SSG401.V2-23 | SCREW |
| | SSG401.V2-03A | FLUID NOZZLE (1.2mm) | 24 | SSG401.V2-24 | TRIGGER STUD |
| | SSG401.V2-03C | FLUID NOZZLE (2.0mm) | 25 | SSG401.V2-25 | TRIGGER |
| | SSG401.V2-03D | FLUID NOZZLE (2.2mm) | 26 | SSG401.V2-26 | STOP RING |
| | SSG401.V2-03E | FLUID NOZZLE (2.5mm) | 28 | SSG401.V2-28 | AIR VALVE |
| 4 | SSG401.V2-04 | GASKET | 29 | SSG401.V2-29 | O-RING |
| 5 | SSG401.V2-05B | FLUID NEEDLE (1.8mm) | 30 | SSG401.V2-30 | PACKING SPRING |
| | SSG401.V2-05 | FLUID NEEDLE (1.5mm) | 31 | SSG401.V2-31 | GASKET |
| | SSG401.V2-05A | FLUID NEEDLE (1.2mm) | 32 | SSG401.V2-32 | O-RING |
| | SSG401.V2-05C | FLUID NEEDLE (2.0mm) | 33 | SSG401.V2-33 | AIR VALVE ROD |
| | SSG401.V2-05D | FLUID NEEDLE (2.2mm) | 34 | SSG501.V3-34 | GRAVITY FEED CUP |
| | SSG401.V2-05E | FLUID NEEDLE (2.5mm) | 35 | SSG501.V3-35 | O-RING |
| 6 | SSG401.V2-06 | SPRING AXIS | | | |
| 7 | SSG401.V2-07 | PACKING | | | |
| 8 | SSG401.V2-08 | PACKING SEAT | | | |
| 9 | SSG401.V2-09 | FLUID NEEDLE SPRING | | | |
| 10 | SSG401.V2-10 | FLUID ADJUSTMENT KNOB | | | |
| 11 | SSG401.V2-11 | PLUG-IN SCREW | | | |
| 12 | SSG401.V2-12 | O-RING | | | |
| 13 | SSG401.V2-13 | FLUID ADJUSTMENT GUIDE | | | |
| 14 | SSG401.V2-14 | AIR VALVE SPRING | | | |

OPTIONAL SET-UPS

| | |
|---------------|---|
| SSG401V2-S1.2 | SSG401-SSG501 SET-UP 1.2mm (includes parts: 01A,02,03A & 05A) |
| SSG401V2-S1.5 | SSG401-SSG501 SET-UP 1.5mm (includes parts: 01,02,03 & 05) |
| SSG401V2-S1.8 | SSG401-SSG501 SET-UP 1.8mm (includes parts: 01B,02,03B & 05B) |
| SSG401V2-S2.0 | SSG401-SSG501 SET-UP 2.0mm (includes parts: 01C,02,03C & 05C) |
| SSG401V2-S2.2 | SSG401-SSG501 SET-UP 2.2mm (includes parts: 01D,02,03D & 05D) |
| SSG401V2-S2.5 | SSG401-SSG501 SET-UP 2.5mm (includes parts: 01E,02,03E & 05E) |