



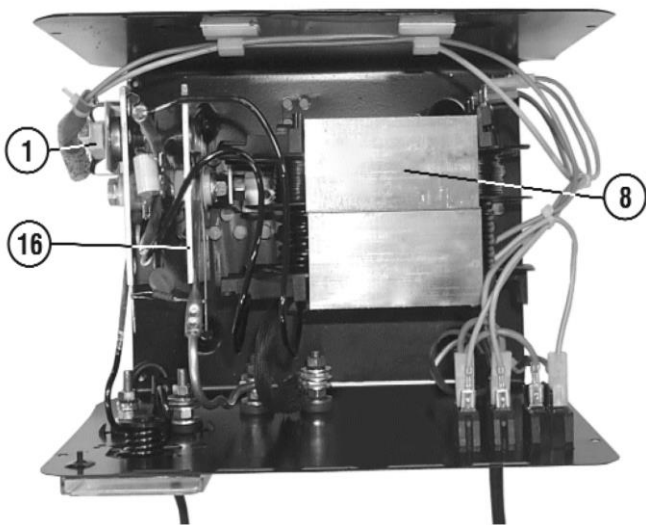
PARTS FOR :

STARTER/CHARGER 160/40Amp 12/24v 230V

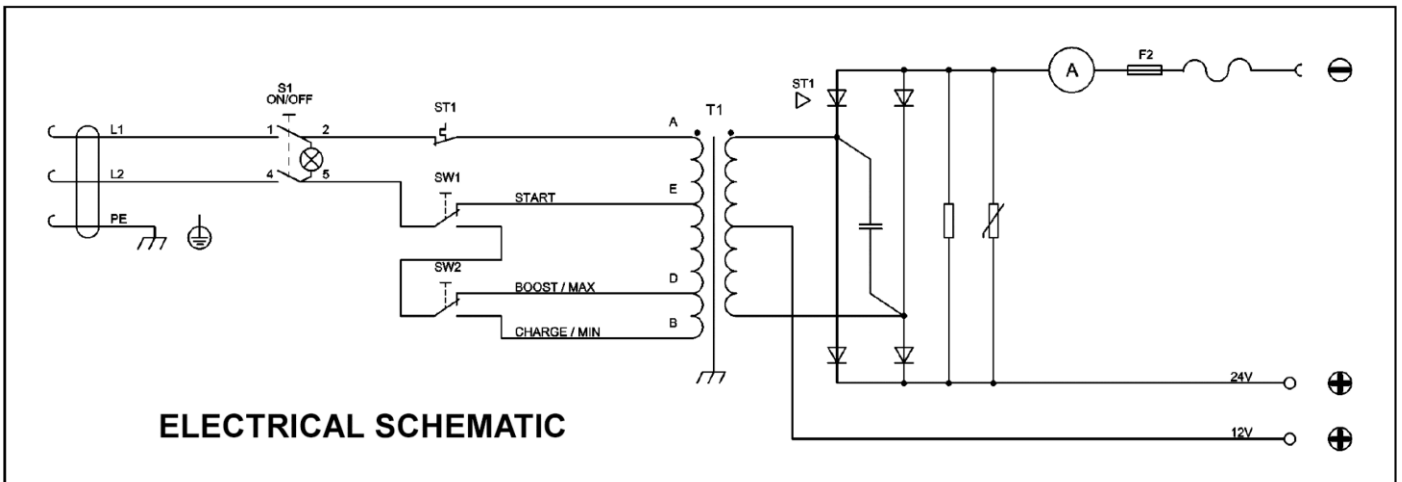
STARTER/CHARGER 180/40Amp 12/24v 230V

MODELS: SUPERBOOST160.V4 & SUPERBOOST180.V4

ISSUE NO : 6
ISSUE DATE : 03/06/2016



ITEM	PART NO	DESCRIPTION
1	120.121021	THERMOSTAT
2	120/122400	SWITCH, WHITE ROCKER
3	120/122477	SWITCH (GREEN ROCKER)
4	120/123569	CABLE 6MMQ 2M AND WORK CLAMP
5	120.123588	CABLE 6MMQ 2M AND POSITIVE CLAMP
7	120.152020	AMMETER
8	120.169561	TRANSFORMER
9	120.322112	BUSHING
10	120.322665	FRAME
11	120/802260	FUSE 80Amp SMALL Pack of 20
12	120/990072	TERMINAL COMPLETE, FUSE
13	120/990083	PINCER, BLACK SLEEVE (UP TO 200 AMP)
14	120/990084	PINCER, RED SLEEVE (UP TO 200 AMP)
15	120/990340	HANDLE
16	120.990774	RECTIFIER KIT
17	120.990939	COVER KIT
18	120.980027	FRONT PANEL KIT
19	120/990072	TERMINAL COMPLETE, FUSE (NOT SHOWN)



Sole UK Distributor,
Sealey Group, Kempson Way,
Suffolk Business Park,
Bury St Edmunds, Suffolk, IP32 7AR

01284 757500
01284 703534

www.sealey.co.uk
sales@sealey.co.uk