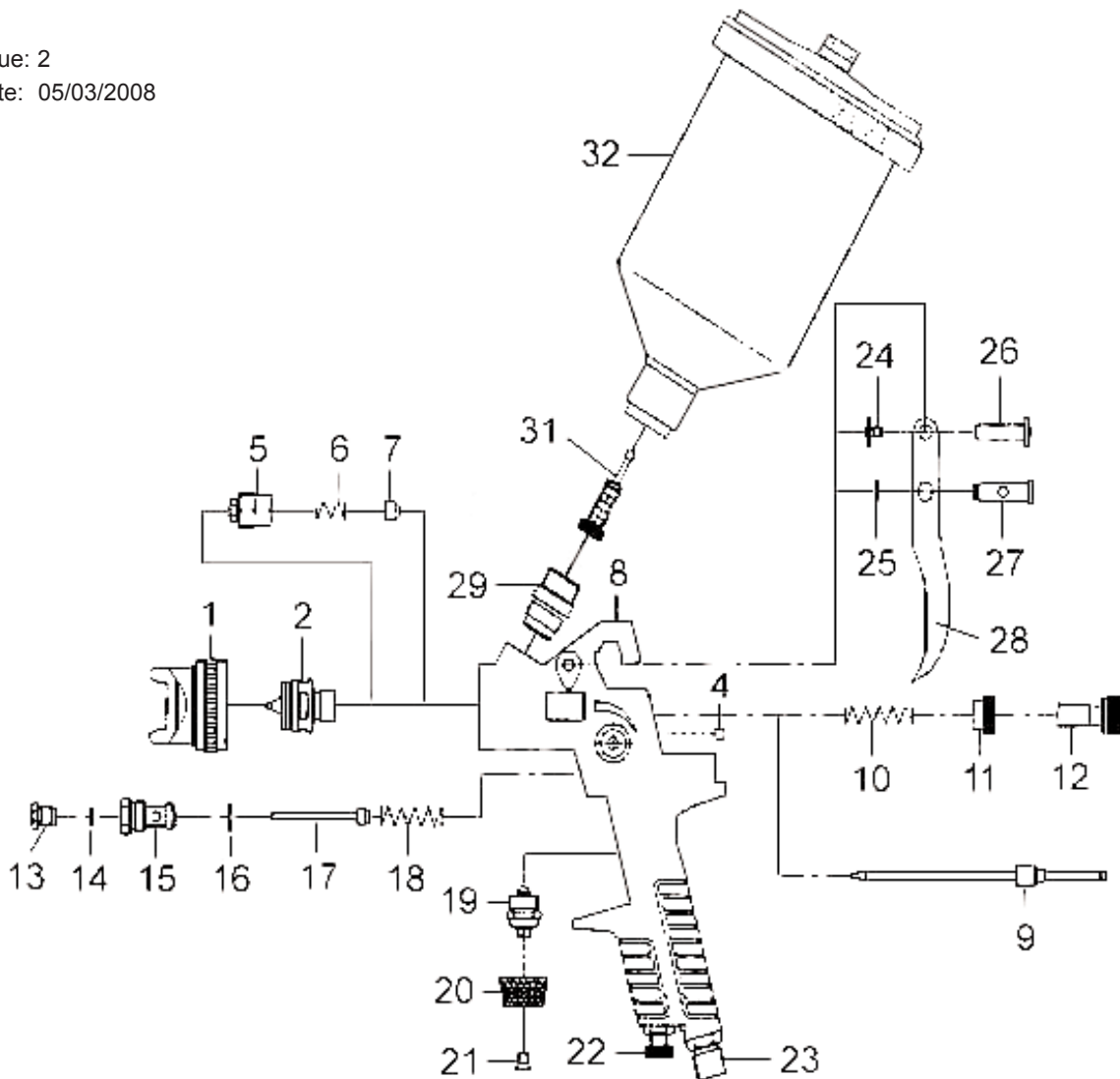


Issue: 2
 Date: 05/03/2008



ITEM	PART NO	DESCRIPTION	ITEM	PART NO	DESCRIPTION
1	HVLP742.01	AIR CAP	21	HVLP742.21	BOLT
2	HVLP742.02	FLUID NOZZLE	22	HVLP742.22	AIR ADJUSTMENT SEAT
4	HVLP742.04	BALL	23	HVLP742.23	AIR JOINT
5	HVLP742.05	NEEDLE PACKING NUT	24	HVLP742.24	BOLT
6	HVLP742.06	SPRING	25	HVLP742.25	STOP RING
7	HVLP742.07	NEEDLE PACKING GASKET	26	HVLP742.26	TRIGGER PIN
8	HVLP742.08	SPRAY GUN BODY	27	HVLP742.27	NEEDLE PIN
9	HVLP742.09	NEEDLE	28	HVLP742.28	TRIGGER
10	HVLP742.10	NEEDLE SPRING	29	HVLP742.29	FLUID JOINT
11	HVLP742.11	ADJUSTMENT SCREW CAP	31	HVLP742.31	FILTER
12	HVLP742.12	FLUID ADJUSTMENT SCREW	32	HVLP742.32	PAINT CUP COMPLETE
13	HVLP742.13	AIR VALVE PACKING SCREW	OPTIONAL SET-UPS		
14	HVLP742.14	GASKET	HVLP742.01A		AIR CAP 1.4mm
15	HVLP742.15	AIR VALVE SEAT	HVLP742.02A		FLUID NOZZLE 1.4mm
16	HVLP742.16	AIR VALVE GASKET	HVLP742.09A		NEEDLE 1.4mm
17	HVLP742.17	AIR VALVE POLE	HVLP742.01B		AIR CAP 1.7mm
18	HVLP742.18	AIR VALVE SPRING	HVLP742.02B		FLUID NOZZLE 1.7mm
19	HVLP742.19	VALVE SEAT,FAN ADJUSTER	HVLP742.09B		NEEDLE 1.7mm
20	HVLP742.20	SCREW CAP,FAN ADJUSTER			