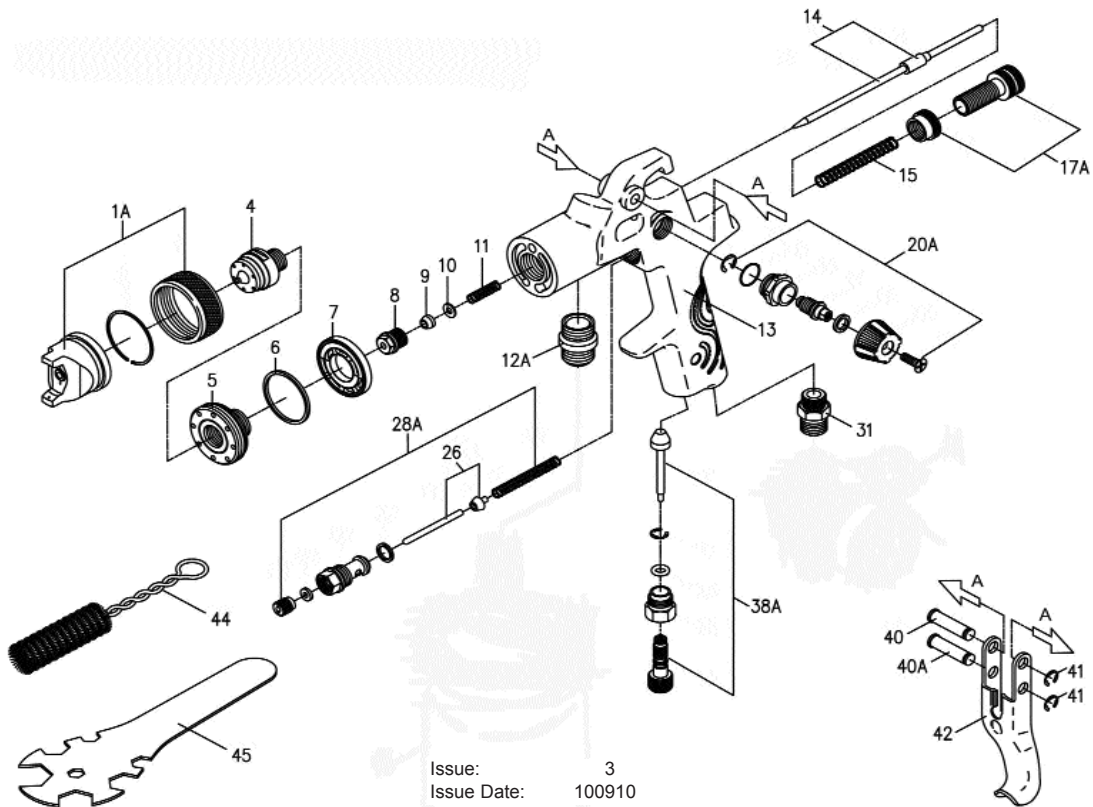
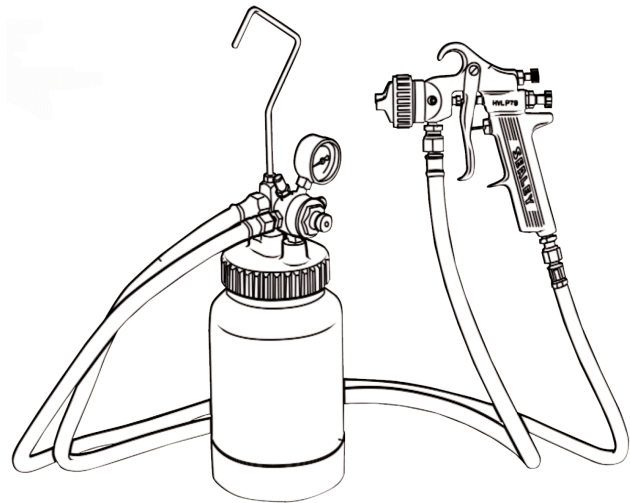


ITEM	PART NO	DESCRIPTION
1	HVLP-79/P1	SPRAY GUN HVLP FOR HVLP-79 1.7mm SET-UP
2	HVLP-79/P2	HOSE SET 2 x 1.3mtr FOR HVLP-79
3	HVLP-79/P3	PRESSURE POT 1ltr FOR HVLP-79



Issue: 3  
 Issue Date: 100910

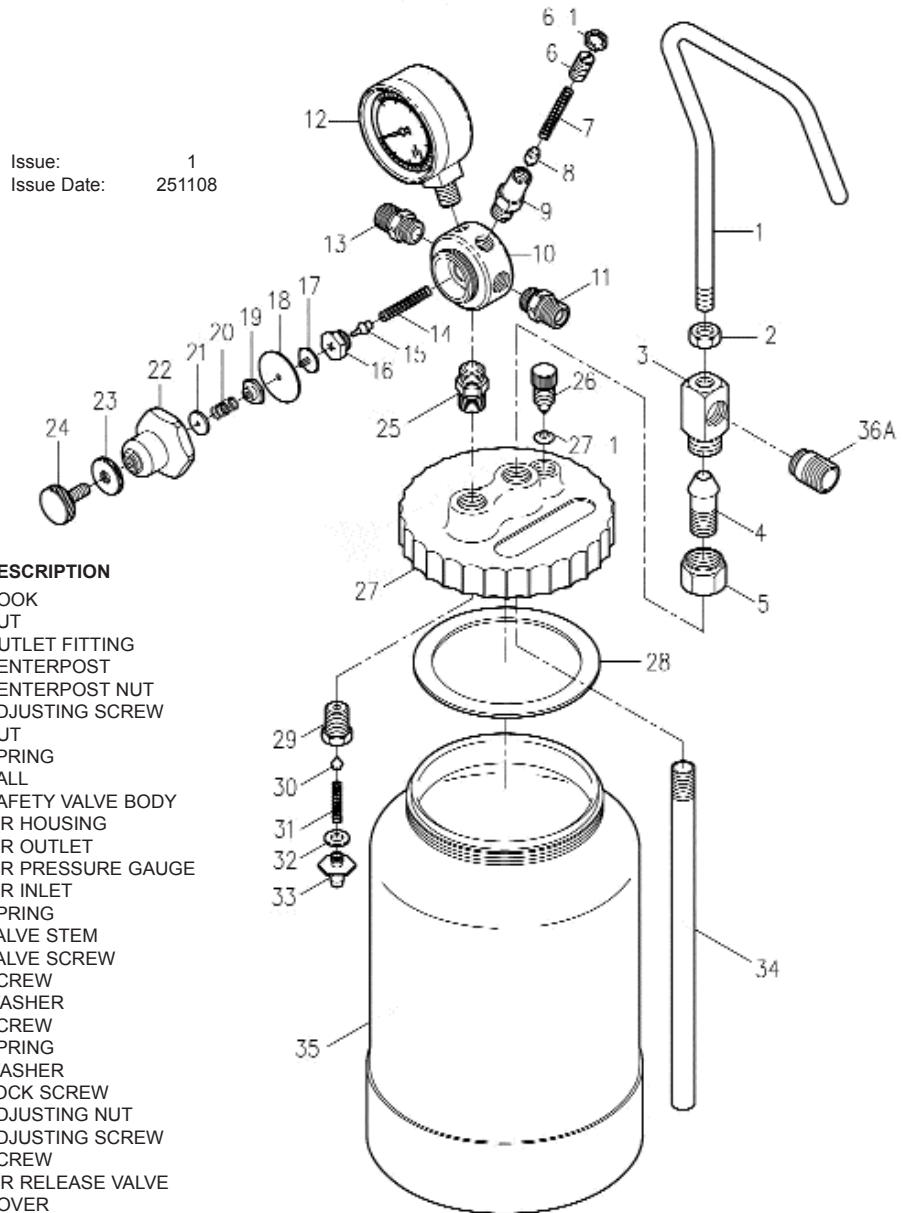
ITEM	PART NO	DESCRIPTION	ITEM	PART NO	DESCRIPTION	ITEM	PART NO	DESCRIPTION
1A	HVLP79.V2-01A	AIR CAP SET (1.7mm)	15	HVLP79.V2-15	SPRING FOR PAINT NEEDLE	45	HVLP79.V2-45	SPANNER
4	HVLP79.V2-04	FLUID NOZZLE (1.7mm)	17A	HVLP79.V2-17A	CONTROL KNOB SET	<b>AVAILABLE SET-UPS</b>		
5	HVLP79.V2-05	BRASS RING	20A	HVLP79.V2-20A	SPRAY REGULATING SET	HVLP79V2-S1.3	SET-UP 1.3mm (not shown)	
6	HVLP79.V2-06	TEFLON O-RING	26	HVLP79.V2-26	VALVE SET	HVLP79V2-S1.4	SET-UP 1.4mm (not shown)	
7	HVLP79.V2-07	GASKET	28A	HVLP79.V2-28A	AIR VALVE ASS'Y	HVLP79V2-S1.5	SET-UP 1.5mm (not shown)	
8	HVLP79.V2-08	SCREW	31	HVLP79.V2-31	AIR CONNECTOR 1/4" BSP	HVLP79V2-S1.7	SET-UP 1.7mm (not shown)	
9	HVLP79.V2-09	TEFLON SEAL	38A	HVLP79.V2-38A	AIR ADJUSTING VALVE ASS'Y	HVLP79V2-S2.0	SET UP 2.0mm (not shown)	
10	HVLP79.V2-10	WASHER	40	HVLP79.V2-40	PIN			
11	HVLP79.V2-11	SPRING	40A	HVLP79.V2-40A	PIN WITH HOLE			
12A	HVLP79.V2-12A	FLUID JOINT	41	HVLP79.V2-41	E-RING			
13	HVLP79.V2-13	GUN BODY	42	HVLP79.V2-42	TRIGGER			
14	HVLP79.V2-14	PAINT NEEDLE COMPLETE (1.7mm)	44	HVLP79.V2-44	BRUSH			

**NOTE:** It is our policy to continually improve products and as such we reserve the right to alter data, specifications and component parts without prior notice.

**IMPORTANT:** No liability is accepted for incorrect use of product.

**WARRANTY:** Guarantee is 12 months from purchase date, proof of which will be required for any claim.

**INFORMATION:** For a copy of our latest catalogue and promotions call us on 01284 757525 and leave your full name and address, including postcode.



Issue: 1  
 Issue Date: 251108

ITEM	PART NO	DESCRIPTION
1	HVLP79P3V2.01	HOOK
2	HVLP79P3V2.02	NUT
3	HVLP79P3V2.03	OUTLET FITTING
4	HVLP79P3V2.04	CENTERPOST
5	HVLP79P3V2.05	CENTERPOST NUT
6	HVLP79P3V2.06	ADJUSTING SCREW
6-1	HVLP79P3V2.6A	NUT
7	HVLP79P3V2.07	SPRING
8	HVLP79P3V2.08	BALL
9	HVLP79P3V2.09	SAFETY VALVE BODY
10	HVLP79P3V2.10	AIR HOUSING
11	HVLP79P3V2.11	AIR OUTLET
12	HVLP79P3V2.12	AIR PRESSURE GAUGE
13	HVLP79P3V2.13	AIR INLET
14	HVLP79P3V2.14	SPRING
15	HVLP79P3V2.15	VALVE STEM
16	HVLP79P3V2.16	VALVE SCREW
17	HVLP79P3V2.17	SCREW
18	HVLP79P3V2.18	WASHER
19	HVLP79P3V2.19	SCREW
20	HVLP79P3V2.20	SPRING
21	HVLP79P3V2.21	WASHER
22	HVLP79P3V2.22	LOCK SCREW
23	HVLP79P3V2.23	ADJUSTING NUT
24	HVLP79P3V2.24	ADJUSTING SCREW
25	HVLP79P3V2.25	SCREW
26	HVLP79P3V2.26	AIR RELEASE VALVE
27	HVLP79P3V2.27	COVER
27-1	HVLP79P3V2.CG	GASKET
28	HVLP79P3V2.28	GASKET
29	HVLP79P3V2.29	SCREW
30	HVLP79P3V2.30	STOPPER
31	HVLP79P3V2.31	SPRING
32	HVLP79P3V2.32	WASHER
33	HVLP79P3V2.33	SCREW
34	HVLP79P3V2.34	TUBE
35	HVLP79P3V2.35	CUP
36A	HVLP79P3V2.36	PAINT OUTLET SCREW

**NOTE:** It is our policy to continually improve products and as such we reserve the right to alter data, specifications and component parts without prior notice.

**IMPORTANT:** No liability is accepted for incorrect use of product.

**WARRANTY:** Guarantee is 12 months from purchase date, proof of which will be required for any claim.

**INFORMATION:** For a copy of our latest catalogue and promotions call us on 01284 757525 and leave your full name and address, including postcode.