



INSTRUCTIONS FOR:
CV JOINT BOOT TOOL
 MODEL NO: **BSL103**

Thank you for purchasing a Sealey product. Manufactured to a high standard, this product will, if used according to these instructions, and properly maintained, give you years of trouble free performance.

IMPORTANT: PLEASE READ THESE INSTRUCTIONS CAREFULLY. NOTE THE SAFE OPERATIONAL REQUIREMENTS, WARNINGS & CAUTIONS. USE THE PRODUCT CORRECTLY AND WITH CARE FOR THE PURPOSE FOR WHICH IT IS INTENDED. FAILURE TO DO SO MAY CAUSE DAMAGE AND/OR PERSONAL INJURY AND WILL INVALIDATE THE WARRANTY. KEEP THESE INSTRUCTIONS SAFE FOR FUTURE USE.



Refer to instructions



Wear safety goggles



Wear gloves

1. SAFETY

1.1 GENERAL SAFETY

- ✓ Carefully read these operating and safety instructions before using the boot tool. Keep them for future reference.
- ✓ This tool should only be used by properly trained operators.
- ✓ Keep the work area clean, uncluttered and ensure there is adequate lighting.
- ✓ Maintain correct balance and footing. Ensure the floor is not slippery and wear non-slip shoes.
- ✓ Remove ill fitting clothing. Remove ties, watches, rings, and other loose jewellery, and contain and/ or tie back long hair.
- ✓ Keep children and unauthorised persons away from the working area.
- ✓ Keep the boot tool away from fire, heat and chemicals.
- ✗ **DO NOT** use the boot tool for any purpose other than that for which it is designed.
- ✗ **DO NOT** operate the boot tool when you are tired, under the influence of alcohol, drugs or intoxicating medication.
- ☐ **WARNING!** Ensure Health & Safety, local authority, and general workshop practice regulations are adhered to when using this equipment.

1.2 COMPRESSED AIR SAFETY

- ✓ Make sure that the air pressure system contains no liquids, including water, but only dry air.
- ✓ Keep air hose away from heat, oil and sharp edges. Check air hose for wear before each use, and ensure that all connections are secure.
- ✓ When not in use disconnect from the air supply, de-pressurise the boot tool, and store in a safe, dry, childproof area.
- ✗ **DO NOT** leave the boot tool unattended when fully pressurised.
- ✗ **DO NOT** carry the boot tool by the hose, or yank the hose from the air supply.
- ✗ **DO NOT** allow the air pressure to exceed 8 bar (116 psi). This tool has an internal safety disc. If used above the recommended pressure the disc may rupture, thus safely releasing air inside the tool.
- ☐ **WARNING! Use of this tool, above recommended pressure, will void the warranty.**
- ☐ **WARNING!** Disconnect the boot tool from the air supply before servicing or performing any maintenance.

1.3 MECHANICAL SAFETY

- ✓ Maintain the boot tool in good condition (use an authorised service agent).
- ✓ If the tool falls or is knocked, stop operation and check for any damage.
- ✗ **DO NOT** erase or damage any of the markings, symbols or text printed onto or moulded onto the surfaces of the boot tool.
- ✓ In case of mechanical fault and/or breakage and/or cracks, immediately stop operation of the tool and disconnect it from the air supply. Ensure the tool is depressurised after disconnection by pressing the minus (-) button. Contact an authorised distributor.
- ✓ Replace or repair damaged parts. Use genuine parts only. Non-authorised parts may be dangerous and will invalidate the warranty.
- ✗ **DO NOT** operate the boot tool if any parts are damaged or missing as this may cause failure and/or personal injury.

1.4 OPERATIONAL SAFETY

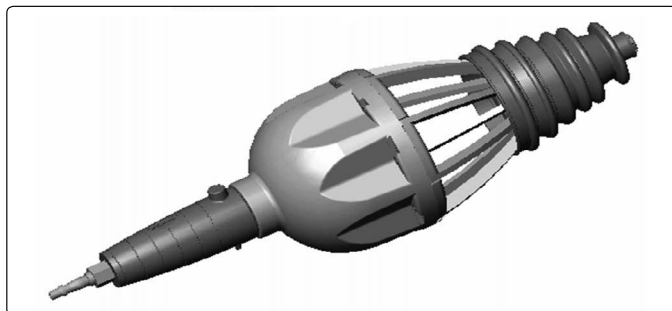
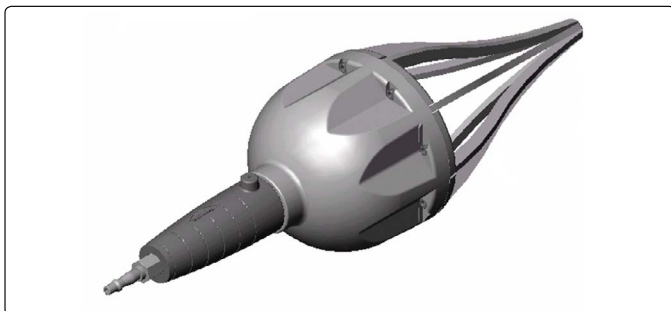
- ✓ Before using the boot tool, make sure that all the boot tool parts are correctly assembled and firmly in place. **DO NOT** operate it if the arm retaining pins are not all in place.
- ✓ Working with the boot tool requires protective equipment including safety shoes, work gloves and safety goggles. **DO NOT** bring the tool close to the face while operating.
- ✓ When operating the boot tool, to open a CV rubber boot, turn the tool away from your face and body.
- ✓ Keep hands clear of the moving legs when operating the boot tool. Never insert fingers into the tool.
- ✗ **DO NOT** point the boot tool at any person and/or towards any part of the operator's body.

2. INTRODUCTION

This innovative tool saves time, money and frustration by enabling the installation of flexible steering and CV boots without removing the drive shaft or the CV joint from the vehicle. No effort and no mess is involved. Saves on labour time by up to 70% and prevents damage to the CV joint. The tool has a composite body with simple control valve and works from the standard workshop air supply.

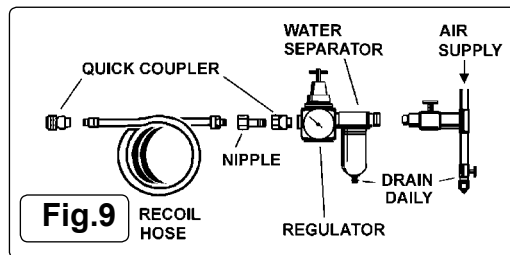
3. SPECIFICATION

Model no:	BSL103
Maximum joint diameter	110mm
Weight	2.0kg
Max air pressure.....	8 bar/116psi
Air inlet size.....	1/4" BSP
Noise level.....	<70db(A)
Dimensions.....	465 x 148 x 148



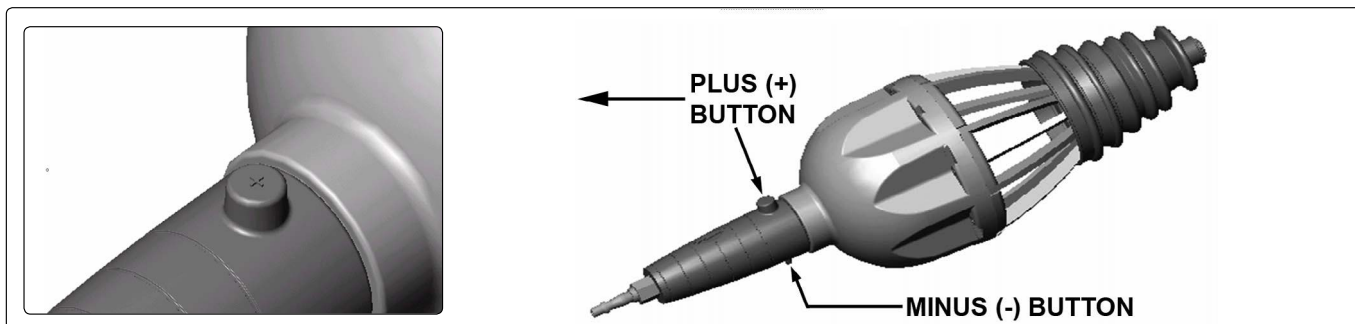
4. AIR SUPPLY

- ❑ **WARNING!** Ensure the air supply does not exceed 8bar/116psi while operating the unit. Too high an air pressure will cause the internal safety disc to rupture thus invalidating your warranty.
- 4.1 The boot tool has a male 1/4" BSP thread at the end of the handle. Screw the supplied air adaptor fitting onto the thread so that the tool can easily be disconnected from the air supply if required.
- 4.2 Where possible the compressor should be sited in a separate room with the connecting airline kept as short as possible. The compressor should have an air filter and water separator (Fig.9).
- 4.3 Drain the compressor air tank daily as water in the air line will damage the unit.
- 4.4 The recommended hook-up procedure is shown in Fig.9.
- 4.5 The minimum hose diameter should be 1/4" I.D. and fittings must have the same inside dimensions.
- 4.6 Keep hoses away from heat, oil and sharp edges. Check hoses for wear and ensure that all connections are secure.
- 4.7 Line pressure should be increased to compensate for unusually long air hoses (over 8 metres).



5. OPERATION

- ❑ **WARNING!** The boot tool is designed for the installation of flexible rubber CV boots only and should be used with no other products and for no other purpose.
 - 5.0 Before first use check that the cap retaining screws between the arms are secure
 - 5.1 Adjust the air compressor to give a maximum pressure of 8bar/116psi at its outlet.
 - 5.2 Before connecting the air line to the boot tool put the flexible rubber boot over the boot tool arms (large end first). Make sure that the ends of the arms are projecting from the top opening of the rubber boot. To fit a boot to an inner joint, turn the boot inside out before sliding it onto the arms of the boot tool.
 - 5.3 Connect the air line to the air connector at the end of the handle.
 - 5.4 When operating the boot tool, to open a CV rubber boot, turn the tool away from your face and body.
 - 5.5 Activate the splaying of the boot tool arms by pressing the plus button (+) on the handle, thus allowing air to enter the device.
 - 5.6 When the arms have stretched the boot enough to pass over the joint, release the plus button (+) button in order to prevent the arms opening any further.
 - 5.7 Manoeuvre the opened tool and boot over the end of the drive shaft until it is in the required place.
 - 5.8 To release the air pressure in the boot tool, press the minus (-) button on the reverse side of the handle. As the air pressure is released the arms will close down onto the drive shaft. **Keep hands away from moving parts.**
 - 5.9 **Disconnect the air supply.**
 - 5.10 Place one hand onto the rubber boot to hold it in place.
 - 5.11 Finally, entirely withdraw the tool from the boot.
- NOTE: The tool can be removed from the airline when pressurized (arms open) and will maintain its pressure until the minus (-) button is pressed. This allows the tool to be moved around the workshop whilst still under pressure providing a useful operating benefit. The pressure should not be left in the tool for long periods but only for the duration of the boot fitting.*
- ❑ **WARNING!** Do not leave the Boot Tool under air pressure when not in use.



6. MAINTENANCE

- 6.1 **DO NOT** attempt to clean or repair the boot tool whilst an air line is connected.
- 6.2 Apart from keeping the boot tool clean there is no routine maintenance required.
- 6.3 If repair is required return the tool to your local Sealey dealer. Use genuine parts only. *Non-authorized parts may be dangerous and will invalidate the warranty.*



Environmental Protection.

Recycle unwanted materials instead of disposing of them as waste. All tools, accessories and packaging should be sorted, taken to a recycle centre and disposed of in a manner which is compatible with the environment.

NOTE: It is our policy to continually improve products and as such we reserve the right to alter data, specifications and component parts without prior notice.

IMPORTANT: No liability is accepted for incorrect use of this product.

WARRANTY: Guarantee is 12 months from purchase date, proof of which will be required for any claim.



Sole UK Distributor, Sealey Group,
Kempson Way, Suffolk Business Park,
Bury St. Edmunds, Suffolk,
IP32 7AR



01284 757500

01284 703534



www.sealey.co.uk

sales@sealey.co.uk