

Thank you for purchasing a Sealey Product. Manufactured to a high standard this product will, if used according to these instructions and properly maintained, give you years of trouble free performance.



**IMPORTANT:** PLEASE READ THESE INSTRUCTIONS CAREFULLY. NOTE THE SAFE OPERATIONAL REQUIREMENTS, WARNINGS AND CAUTIONS. USE THIS PRODUCT CORRECTLY AND WITH CARE FOR THE PURPOSE FOR WHICH IT IS INTENDED. FAILURE TO DO SO MAY CAUSE DAMAGE AND/OR PERSONAL INJURY, AND WILL INVALIDATE THE WARRANTY. PLEASE KEEP INSTRUCTIONS SAFE FOR FUTURE USE.

## 1. SAFETY INSTRUCTIONS

- WARNING!** Ensure Health & Safety, local authority, and general workshop practice regulations are adhered to when using this equipment.
- WARNING!** Disconnect from air supply before changing accessories, servicing or maintenance.
- WARNING!** Always wear approved eye or face protection when operating the sander.
- WARNING!** Ensure correct air pressure is maintained and does not exceed 90psi
- WARNING! DO NOT** sand any materials containing asbestos.
- DO NOT** use sander for a task it is not designed to perform.
- DO NOT** operate if any part is damaged or missing as this may cause failure and/or possible personal injury.
- DO NOT** carry the sander by the hose, or yank the hose from the air supply.
- DO NOT** get the sander wet or use in damp or wet locations.
- DO NOT** use this sander with water. This model is only for dry use.
- DO NOT** place attachments close to your face and do not point at other persons or animals.
- DO NOT** operate sander if you are tired or under influence of alcohol, drugs or intoxicating medication.
- DO NOT** use where there are flammable liquids, solids or gases (paint solvents), waste or wiping rags etc.
- DO NOT** leave the sander operating whilst unattended.
- DO NOT** carry the sander with your finger or hand on the power lever.
- DO NOT** direct air from the air hose at yourself or others.
- Maintain the sander in good condition and replace any damaged or worn parts. *Use genuine parts only. Unauthorised parts may be dangerous and will invalidate the warranty.*
- Use sander in a suitable work area, keep area clean, tidy and free from unrelated materials. Ensure there is adequate lighting.
- Before use check abrasive pads for condition. If worn or damaged replace immediately.
- If dust is generated, use face and or respiratory protection according to COSHH regulations.
- Depending on task, sander noise may exceed 85dB in which case wear safety ear defenders.
- Remove ill fitting clothing. Remove ties, watches, rings, other loose jewellery and contain and/ or tie back long hair. Wear appropriate protective clothing.
- Keep hands and body clear of the sanders working parts.
- Maintain correct balance and footing. Ensure the floor is not slippery and wear non slip shoes.
- Keep children and unauthorised persons away from the working area.
- Ensure workpiece is correctly secured before operating sander. Never hold workpiece by hand.
- Check the workpiece to ensure there are no protruding nails, screws, stones, etc.
- Avoid unintentional starting.
- Keep air hose away from heat, oil and sharp edges. Check air hose for wear before each use, and ensure that all connections are secure.
- When not in use disconnect from the air supply and store in a safe, dry, childproof area.



## LEAD PAINT WARNING!

- WARNING!** Paint once contained lead as a traditional ingredient. Contact with the dust from the removal of such paint is toxic and must therefore be avoided. The following action must be taken before using the sander on a surface that you suspect may have contained lead in the paint.
- User must determine potential hazard relating to age of paint to be removed. (Modern paints do not have lead content).  
**DANGER!** Keep all persons and pets away from the working area. The following persons are particularly vulnerable to the effects of lead paint dust: *Expectant women, babies, and children.*  
We recommend personal protection by using the following safety items:
  - a) Paint Spray Respirator (Our ref SSP1699)
  - b) PE Coated Hooded Coverall (Our ref SSP265-L).
  - c) Latex Gloves (Our ref SSP24).
- Take adequate measures to contain the paint dust, flakes, and scrapings.
- Continue to wear safety equipment as above, and thoroughly clean all areas when task is complete. Ensure paint waste is disposed of in sealed bags or containers.

## 2. INTRODUCTION & SPECIFICATIONS

### 2.1. Introduction

Designed for smart repair and spot refinishing. 90° handle configuration with double finger trigger allows unit to fit snugly into palm for added control. Rubber finger cover reduces effects of chill. Handle exhaust reduces noise and surface contamination. Fitted with variable speed control. Supplied with selection of 50mm discs and pads with industry standard fitting. Supplied in carry case.

Contents: 50mm Backing Pad; Sanding Discs (10pcs each) - #60, #80, #120grit; 3pcs Surface Preparation Pads (Fine/Medium/Coarse)

### 2.2. Specification

Free Speed: ..... 15000rpm  
Air Inlet(BSP) + coupling: ..... 1/4"  
Noise Power: ..... 94dB(A)  
Noise Pressure: ..... 81dB(A)

Operating Pressure: ..... 90psi  
Weight: ..... 0.75kg  
Vibration figure: ..... 0.74m/s<sup>2</sup>  
Uncertainty value: ..... 0.44m/s<sup>2</sup>

Air Consumption: ..... 4cfm  
Pad Size: ..... 50mm

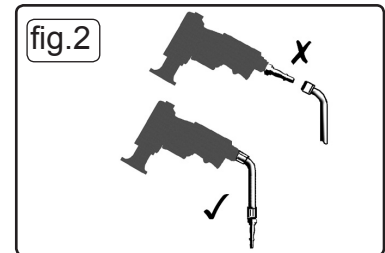
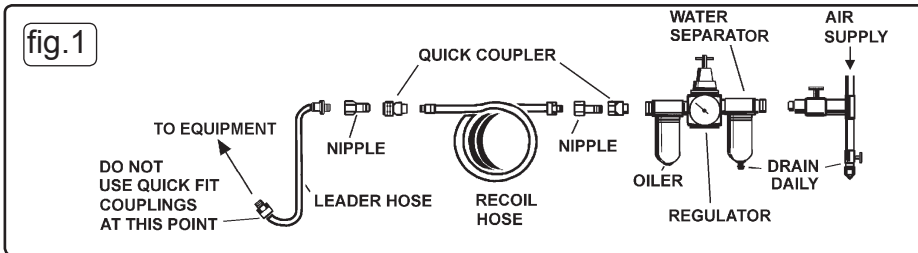
### 3. AIR SUPPLY CONNECTION

#### 3.1. Air Supply

- ❑ **WARNING!** Ensure the air supply is clean and does not exceed 90 psi while operating the sander. Too high an air pressure and unclean air will shorten the product life due to excessive wear, and may be dangerous causing damage and/or personal injury.
- 3.1.1. Ensure sander air valve (or trigger) is in "off" position before connecting to air supply.
- 3.1.2. You will require an air pressure of 90psi, and an air flow according to specification.
- 3.1.3. Drain the air tank daily. Water in the air line will damage the sander.
- 3.1.4. Clean air inlet filter weekly. Recommended hook-up is shown in fig.1.
- 3.1.5. Line pressure should be increased to compensate for unusually long air hoses (over 8 metres). The minimum hose diameter should be 1/4" I.D. and fittings must have the same inside dimensions.
- 3.1.6. Keep hose away from heat, oil and sharp edges. Check hose for wear, and make certain that all connections are secure.

#### 3.2. Couplings

- 3.2.1. Vibration may cause failure if a quick change coupling is connected directly to sander. To overcome this, connect a leader hose to the sander. A quick change coupling may then be used to connect the leader hose to the air line recoil hose. See figs 1 & 2.



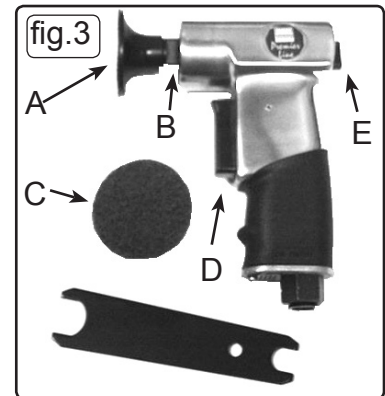
### 4. OPERATING INSTRUCTIONS



**LEAD PAINT WARNING!** Ensure you read and comply with the information in Safety section 1. regarding the hazards associated with lead paint.

- 4.1. Ensure the pad (fig.3.A) is securely fitted to the spindle (fig.3.B). Prevent the spindle from turning using the spanner provided and turn the pad clockwise.
- 4.2. Attach the appropriate sanding disc (fig.3.C) to the pad by screwing on clockwise.
- 4.3. Press trigger (fig.3.D) to start the sander.
- 4.4. The air flow may be adjusted by turning control knob (fig.E).

**NOTE:** The sander is designed for dry use only, **DO NOT** use with water or any other liquids.



### 5. MAINTENANCE

- ❑ **WARNING!** Disconnect sander from air supply before changing accessories, servicing or performing maintenance. Replace or repair damaged parts. *Use recommended parts only. Unauthorised parts may be dangerous and will invalidate the warranty.*
- 5.1. Clean the sander after use and change pad if required.
- 5.2. Loss of power or erratic action may be due to the following:
  - a) Excessive drain on the air line. Moisture or restriction in the air pipe. Incorrect size or type of hose connectors. To remedy check the air supply and follow instructions in Section 3.
  - b) Grit or gum deposits in the tool may also reduce performance. Flush the tool out with gum solvent oil or an equal mixture of SAE No 10 oil and paraffin. Allow to dry before use.
  - c) If you continue to experience problems, contact your local Sealey service agent.
- 5.3. When not in use, disconnect from air supply, clean the sander and store in its case which should be placed in a safe, dry, childproof location.

**NOTE:** It is our policy to continually improve products and as such we reserve the right to alter data, specifications and component parts without prior notice.

**IMPORTANT:** No liability is accepted for incorrect use of this product.

**WARRANTY:** Guarantee is 12 months from purchase date, proof of which will be required for any claim.

**INFORMATION:** For a copy of our latest catalogue and promotions call us on 01284 757525 and leave your full name and address, including postcode.



Sole UK Distributor, Sealey Group,  
Kempson Way, Suffolk Business Park,  
Bury St. Edmunds, Suffolk,  
IP32 7AR

01284 757500

www.sealey.co.uk

01284 703534

sales@sealey.co.uk

**WARNING! – Risk of Hand Arm Vibration Injury.**

**This tool may cause Hand Arm Vibration Syndrome if its use is not managed adequately.**

This tool is to be operated in accordance with these instructions.

**Measured vibration emission value (a): . . .0.74m/s<sup>2</sup>**

**Uncertainty value (k): . . . . .0.44m/s<sup>2</sup>**

*Please note that the application of the tool to a sole specialist task may produce a different average vibration emission. We recommend that a specific evaluation of the vibration emission is conducted prior to commencing with a specialist task.*

A health and safety assessment by the user (or employer) will need to be carried out to determine the suitable duration of use for each tool.

**NB:** Stated Vibration Emission values are type-test values and are intended to be typical.

Whilst in use, the actual value will vary considerably from and depend on many factors.

Such factors include; the operator, the task and the inserted tool or consumable.

**NB:** ensure that the length of leader hoses is sufficient to allow unrestricted use, as this also helps to reduce vibration.

*The state of maintenance of the tool itself is also an important factor, a poorly maintained tool will also increase the risk of Hand Arm Vibration Syndrome.*

**PREPARING FOR USE.**

**Air Supply.**

**WARNING!**

Ensure the air supply is clean and does not exceed 90psi while operating the tool.

Too high an air pressure and unclean air will shorten the product life due to excessive wear and may cause damage and/or personal injury.

Ensure that the tool air valve (or trigger) is in the "off" position before connecting to the air supply.

Monitor the compressor daily to ensure that moisture is not present in the compressed air. Water in the air line will damage the tool.

Line pressure should be increased to compensate for unusually long air hoses (over 8metres).

The minimum hose diameter should be ¼" internal diameter. Fittings must have compatible inside dimensions.

Keep hoses away from heat, oil and sharp edges. Check hoses for wear and ensure that all connections are secure.

**Couplings.**

Vibration may cause failure if a quick change coupling is connected directly to the tool.

To overcome this, connect a leader hose to the tool (Sealey ref: AH2R or AH2R/38).

A quick change coupling may then be used to connect the leader hose to the air line recoil hose.

**CORRECT USE.**

Vibration emission is closely linked to the operating pressure in the air supply. The user should ensure that the pressure is set in accordance with our recommendations to assure optimum efficiency and minimise vibration exposure.

- Ensure that the tool is correctly aligned to the work. Misalignment increases the risk of vibration injury.
- Ensure that consumables are selected, maintained and replaced in accordance with Sealey Instructions.
- Sleeve fittings must be used where possible.
- Always support the tool in a stand or on a balancer or a tension device where possible.
- Ensure that the operator is sufficiently experienced in order to be able to handle and operate the tool correctly.
- Ensure that the tool is held with a light but secure grip. Avoid excessive grip force as this will increase the risk of vibration injury.

**MAINTENANCE.**

If the air system does not have an oiler, lubricate the air tool daily with a few drops of Sealey air tool oil dripped into the air inlet.

Clean the tool after use.

**DO NOT** use worn or damaged grinding discs (if applicable).

Loss of power or erratic action may be due to the following:

Excessive drain on the air line. Moisture or restriction in the air pipe. Incorrect size or type of hose connectors. To remedy, check the air supply and follow instructions in the PREPARING FOR USE section.

Grit, residual deposits (gum) in the tool may also reduce performance.

Remove the strainer. Clean the strainer and flush the tool out with gum solvent oil or an equal mixture of SAE No: 10 oil and paraffin.

Allow the tool and strainer to dry then lubricate before use.

For a full service, contact your local Sealey service agent.

When not in use, disconnect the tool from the air supply, clean the tool and store the tool in a safe, childproof, location.

**Health surveillance.**

We recommend a programme of health surveillance to detect early symptoms of vibration injury so that management procedures can be modified accordingly.

**Personal protective equipment.**

We are not aware of any personal protective equipment (PPE) that provides protection against vibration injury that may result from the uncontrolled use of this tool. We recommend a sufficient supply of clothing (including gloves) to enable the operator to remain warm and dry and maintain good blood circulation in fingers etc. Please note that the most effective protection is prevention, please refer to the Correct Use and Maintenance section in these instructions.

Guidance relating to the management of hand arm vibration can be found on the HSC website [www.hse.gov.uk](http://www.hse.gov.uk) - Hand-Arm Vibration at Work.