

Thank you for purchasing a Sealey Product. Manufactured to a high standard this product will, if used according to these instructions and properly maintained, give you years of trouble free performance.



**IMPORTANT:** PLEASE READ THESE INSTRUCTIONS CAREFULLY. NOTE THE SAFE OPERATIONAL REQUIREMENTS, WARNINGS AND CAUTIONS. USE THIS PRODUCT CORRECTLY AND WITH CARE FOR THE PURPOSE FOR WHICH IT IS INTENDED. FAILURE TO DO SO MAY CAUSE DAMAGE AND/OR PERSONAL INJURY AND WILL INVALIDATE THE WARRANTY. PLEASE KEEP INSTRUCTIONS SAFE FOR FUTURE USE.

## 1. SAFETY INSTRUCTIONS

### 1.2 GENERAL SAFETY

- ❑ **WARNING!** Ensure Health & Safety, local authority, and general workshop practice regulations are adhered to when using this equipment.
- ❑ **WARNING!** Always wear approved eye protection when using the bearing and seal drifts. Failure to do so may result in serious injury. *Normal spectacles are not adequate protection.*
- ✓ Familiarise yourself with the specific applications and limitations of the bearing and seal drifts, as well as any potential hazards.
- ✓ If unsure of the applications or limitations of the bearing and seal drifts contact your supplier.
- ✓ Ensure that the bearing and seal drift is the correct tool for the task. **DO NOT** use the drifts for any purpose other than that for which it is designed.
- ✓ Replace or repair damaged parts. *Use genuine parts only. Unauthorised parts may be dangerous and will invalidate the warranty.*
- ✓ Ensure that the workpiece is stable and that there is adequate lighting.
- ✓ Maintain correct balance and footing. Ensure the floor is not slippery and wear non-slip shoes.
- ✓ Use the correct size and type of hammer for the task. The recommended diameter of hammer face is 10mm larger than tool head. Check that the hammer handle is in good order and is firmly secure in the hammer head. Note that for seal installation a soft-faced hammer should be adequate and will be less likely to damage the tool.
- ✓ Make sure that the face of the hammer and the head of the tool are clean and free from grease, oil, etc.
- ✓ Position the tool so that it is struck away from your body.
- ✓ Strike the drift sleeves squarely on the head - **DO NOT** hit the drifts or sleeves off centre or at an angle.
- ✗ **DO NOT** use the bearing and seal drifts if any are bent, chipped, have a mushroom head or are otherwise damaged.
- ✗ **DO NOT** strike the side of the drift sleeves.
- ✓ Keep children and unauthorised persons away from the working area.
- ✗ **DO NOT** use the bearing and seal drifts if any parts are damaged or missing as this may cause failure and/or personal injury.
- ✗ **DO NOT** use the bearing and seal drifts when you are tired, under the influence of alcohol, drugs or intoxicating medication.

## 2. INTRODUCTION & SPECIFICATION

### INTRODUCTION:

New lightweight design for the installation of bearings without damaging the bearing or housing. Contains 3 metal bearing drift sleeves and 34 nylon drifts. Can also be used to install oil seals. Fits most sizes of bearing and seals found on modern vehicles. Supplied in carry-case.

### SPECIFICATION:

Drift Sleeve Diameters:..... 25, 40, 60mm  
 Drift Sleeve Length:..... 220mm  
 Nylon Drift Diameter: ..... 26, 28, 30, 32x2, 35x3, 37, 40, 42x2,  
 ..... 47x3, 52x2, 55, 60, 62x3, 68, 72x2,  
 ..... 75, 80x2, 82, 85, 90x2, 100, 110mm

## 3. CONTENTS AND USE

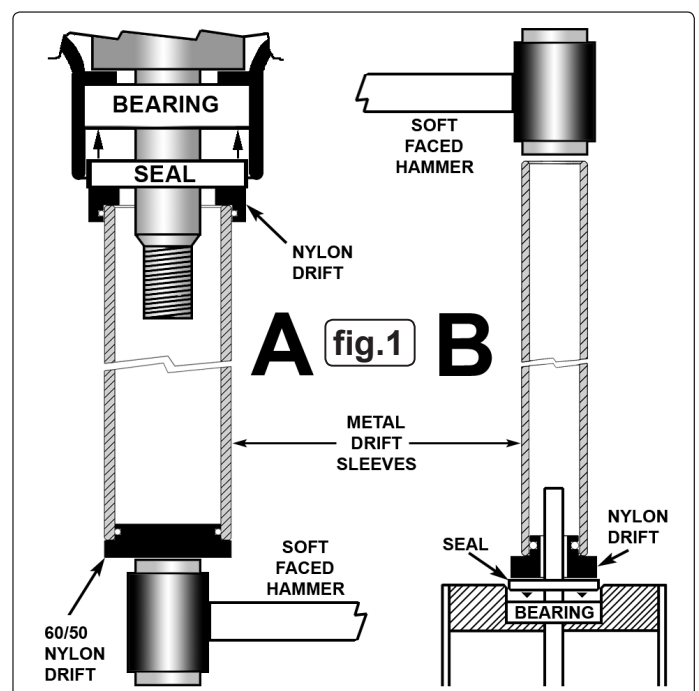
### 3.1. Contents

3.1.1. Check the contents against the parts list overleaf. The case should contain the following:-

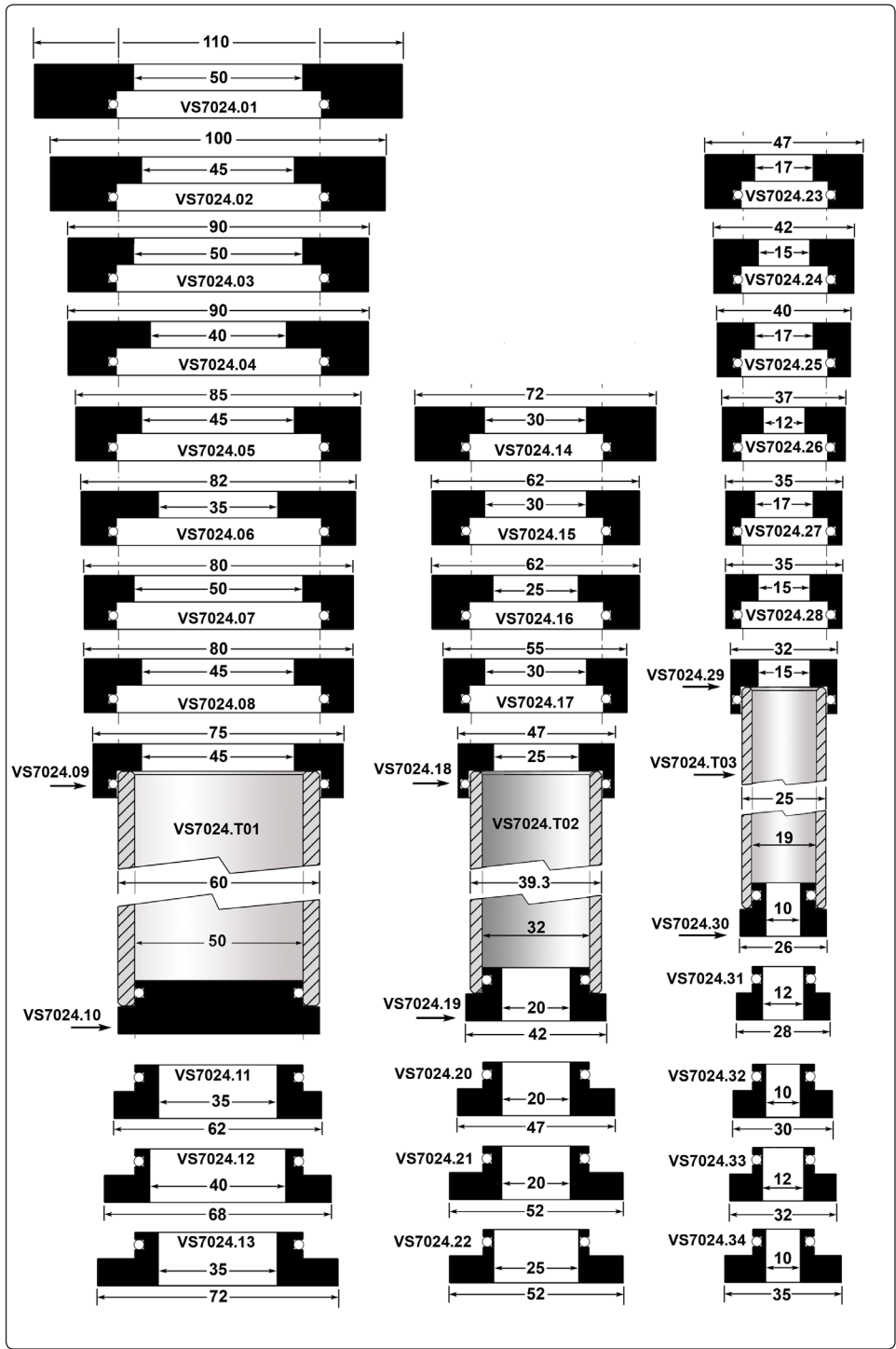
- 1 LARGE (ext. Ø60mm) metal drift sleeve.  
9 externally fitting nylon seal/ bearing drifts.  
4 internally fitting nylon seal/bearing drifts.
- 1 MEDIUM (ext. Ø40mm) metal drift sleeve.  
5 externally fitting nylon seal/bearing drifts.  
4 internally fitting nylon seal/bearing drifts.
- 1 SMALL (ext. Ø25mm) metal drift sleeve.  
7 externally fitting nylon seal/bearing drifts.  
5 internally fitting nylon seal/bearing drifts.

### 3.2. Use

- 3.2.1. Referring to the table overleaf select a seal/bearing drift which is the same size as the seal/bearing to be fitted. (The drift diameters are nominally smaller than the given size to prevent them jamming in the bore). The table also tells you which of the three metal drifts to use and whether the drift fits the internal diameter or the external diameter of the drift sleeve. See fig.1A and B.
- 3.2.2. Align the seal or bearing with the bore into which it is to be driven. A chamfer or rounded edge on the seal/bearing should allow it to align with the bore opening. Do not let the seal/ bearing sit in the bore at an angle.
- 3.2.3. Place the drift sleeve and drift assembly onto the seal/bearing. The centre line of the sleeve should be aligned with the centre line of the bore. Gently tap the seal/bearing into the bore using a soft faced hammer until it is fully seated.
- 3.2.4. When using the large drift sleeve, the 60/50 drift can be inserted into the sleeve to aid accurate driving and avoid damage to the tube rim as shown in fig.1A.
- 3.2.5. When using the medium and small tubes, care should be taken to strike the tube end on. If inaccurate blows to the tube should damage, deform or spread the metal it should be replaced.



DRIFT SIZE		Sleeve size	Drift fit	Part No:
Ext.Ø	Int.Ø			
26	10	Small	Internal	VS7024.30
28	12	Small	Internal	VS7024.31
30	10	Small	Internal	VS7024.32
32	12	Small	Internal	VS7024.33
32	15	Small	External	VS7024.29
35	10	Small	Internal	VS7024.34
35	15	Small	External	VS7024.28
35	17	Small	External	VS7024.27
37	12	Small	External	VS7024.26
40	17	Small	External	VS7024.25
42	15	Small	External	VS7024.24
42	20	Medium	Internal	VS7024.19
47	17	Small	External	VS7024.23
47	20	Medium	Internal	VS7024.20
47	25	Medium	External	VS7024.18
52	20	Medium	Internal	VS7024.21
52	25	Medium	Internal	VS7024.22
55	30	Medium	External	VS7024.17
60	50	Large	Internal	VS7024.10
62	25	Medium	External	VS7024.16
62	30	Medium	External	VS7024.15
62	35	Large	Internal	VS7024.11
68	40	Large	Internal	VS7024.12
72	30	Medium	External	VS7024.14
72	35	Large	Internal	VS7024.13
75	45	Large	External	VS7024.09
80	45	Large	External	VS7024.08
80	50	Large	External	VS7024.07
82	35	Large	External	VS7024.06
85	45	Large	External	VS7024.05
90	40	Large	External	VS7024.04
90	50	Large	External	VS7024.03
100	45	Large	External	VS7024.02
110	50	Large	External	VS7024.01



Parts support is available for this product. To obtain a parts listing and/or diagram, please log on to [www.sealey.co.uk](http://www.sealey.co.uk), email [sales@sealey.co.uk](mailto:sales@sealey.co.uk) or phone 01284 757500.



**ALWAYS WEAR SAFETY GOGGLES AND GLOVES WHEN USING SEAL/BEARING DRIVERS**  
Users of seal drivers are reminded that damage to the striking faces can take place and we recommend that safety goggles and gloves are worn when using this tool.

**NOTE:** It is our policy to continually improve products and as such we reserve the right to alter data, specifications and component parts without prior notice.

**IMPORTANT:** No liability is accepted for incorrect use of this product.

**WARRANTY:** Guarantee is 12 months from purchase date, proof of which will be required for any claim.

**INFORMATION:** For a copy of our latest catalogue and promotions call us on 01284 757525 and leave your full name and address, including postcode.



Sole UK Distributor, Sealey Group,  
Kempson Way, Suffolk Business Park,  
Bury St. Edmunds, Suffolk,  
IP32 7AR

01284 757500

01284 703534



[www.sealey.co.uk](http://www.sealey.co.uk)



[sales@sealey.co.uk](mailto:sales@sealey.co.uk)